

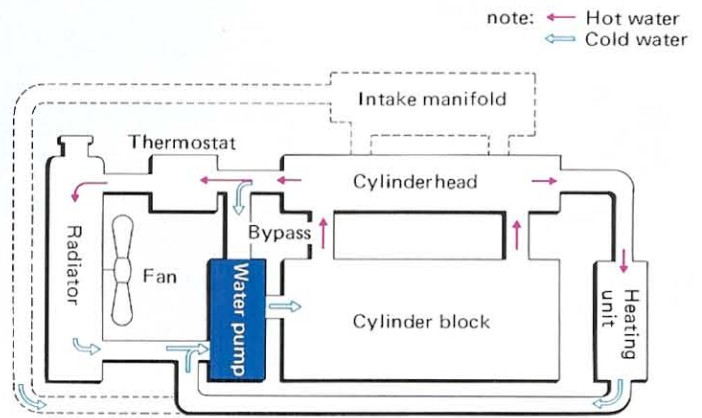
# WATER PUMPS

The water pump is installed on the front of the cylinder blocks of a water-cooled engine. To maintain proper engine temperature, the pump circulates the coolant.

## Genuine Nissan Water Pumps feature:

1. No water leakage
2. Outstanding durability
3. Quiet operation
4. Light weight
5. Low consumption of engine power

### < Coolant flow within cooling system >



#### Bearing

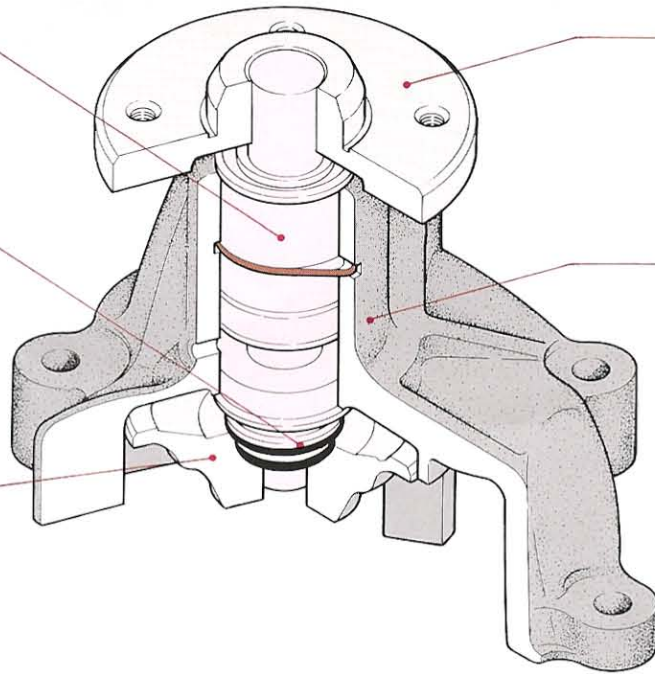
This highly reliable bearing guarantees smooth rotation and superior durability.

#### Mechanical Seal

The excellent seal material functions reliably without water leakage under all conditions, from low to high speeds and low to high temperatures.

#### Vane

The adoption of improved material has resulted in longer-lasting high quality and lighter weight. This ensures stable water flow.



#### Hub

The precision manufacturing of the hub minimizes vibration, which contributes to longer bearing life.

#### Body

### < How genuine differs from non-genuine >

	Genuine	Non-genuine	
		Type A	Type B
Water Flow	· sufficient · stable	insufficient	unstable
Rotation of Hub	· minimal vibration	2 to 3 times greater vibration	
Bearing	· heavy-duty · long-life	33% less durability	grease leakage

## For customers who use water pumps extensively...

Special versions of several items are available exclusively for service use to satisfy customers who use water pumps extensively as well as the owners of older vehicles.

They incorporate various advantages:

- High Quality – The genuine features are maintained through specially developed bearings.
- Maintenance Cost Reduction

For detailed information, please contact authorized Nissan distributors or dealers.

## CLUES FOR WATER PUMP REPLACEMENT

The life of a water pump depends on such factors as the quality of the coolant and overall usage. To keep it in top condition, the cooling system should be very carefully inspected periodically.

### Check point 1

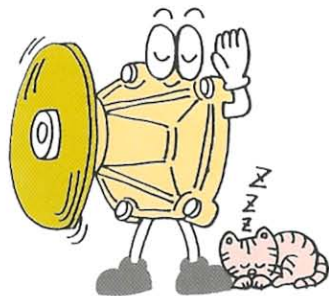
Water Leakage



### Check point 2

Bearing Rotation

- Are the bearings rotating smoothly ?
- Are they catching anywhere ?
- Are there any abnormal noises ?



**GENUINE NISSAN WATER PUMPS**